



FDG

High precision face drivers
for machining between center pins

- Machining of the entire surface of the workpiece with one single operation
- Power operated on the side of the spindle
- Highest run-out accuracy

■ Power operated on the side of the spindle



Application/customers benefits

- Machining of the entire surface of the workpiece in one single operation
- For the machining of the surface of soft and hardened workpieces
- Center pin with carbide insert for highest running accuracy

Technical features

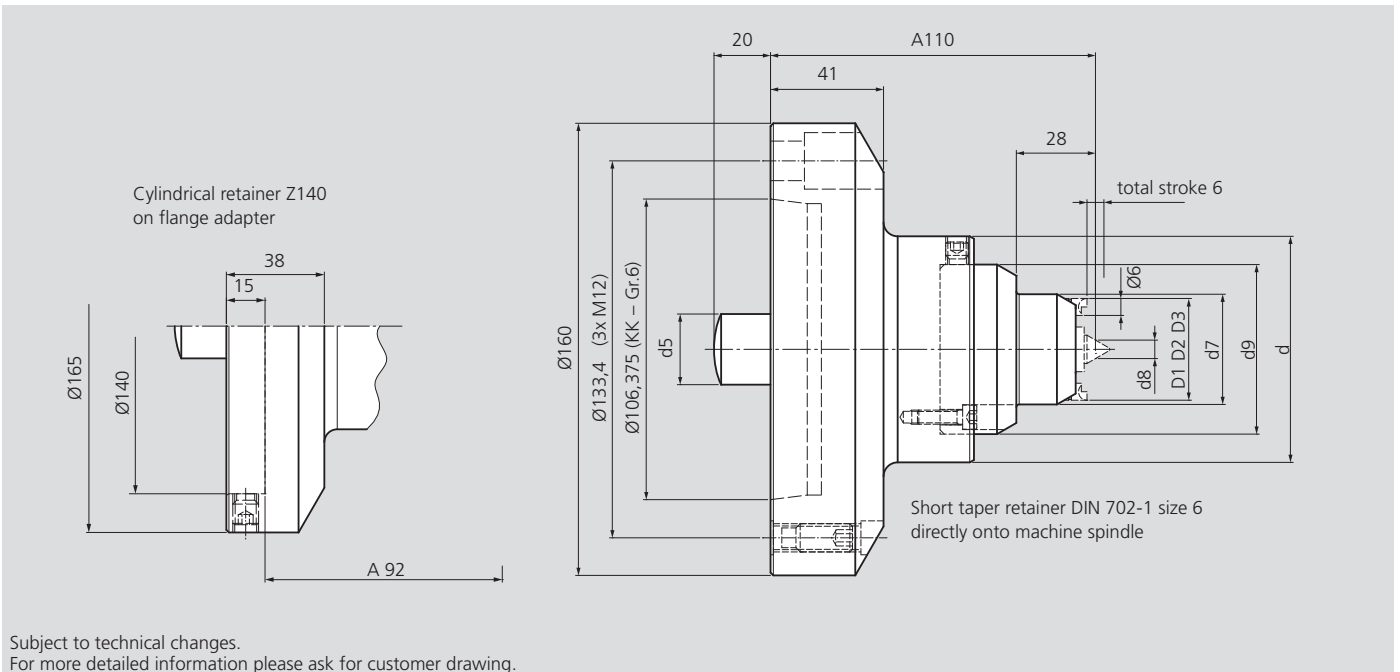
- Highest run-out accuracy < 0.003 mm
- Compensating drive elements
- Retractable drive pins in case of on- or off-loading
- Fine adjustment at face drivers for highest run-out requirements

Standard equipment

Face driver FDG
without changeable parts

Ordering example

Pneumatic pancake cylinder CPG-FDG
Id. No. 045891



Subject to technical changes.
For more detailed information please ask for customer drawing.

Technical Data

Id. No. Z140	Id. No. KK Gr. 6	Type	d	Center Ø	d5	d7	d8	d9	Clamping-Ø		
									D1	D2	D3
204869	204876	FDG 0	65	1 - 3	18	16	1,5	48	6	9	15
204870	204877	FDG 1	65	1 - 5	18	18	3	48	8	11	17
204871	204878	FDG 2	65	2 - 6,5	18	21	4,25	48	11	14	20
204872	204879	FDG 3	65	4 - 8,5	18	25	6,25	48	15	18	24
204873	204880	FDG 4	77	4 - 9	25	38	6,5	60	27	30	36
204874	204881	FDG 5	85	6 - 11	25	46	8,5	68	35	38	44
204875	204882	FDG 6	110	10 - 15	25	62	12,5	85	50	53	59

Face drivers with morse taper retainer according to DIN 228 available on request.

NOTE Pancake cylinder CPG for the pneumatic actuation of face drivers FDG available.

■ Changeable parts

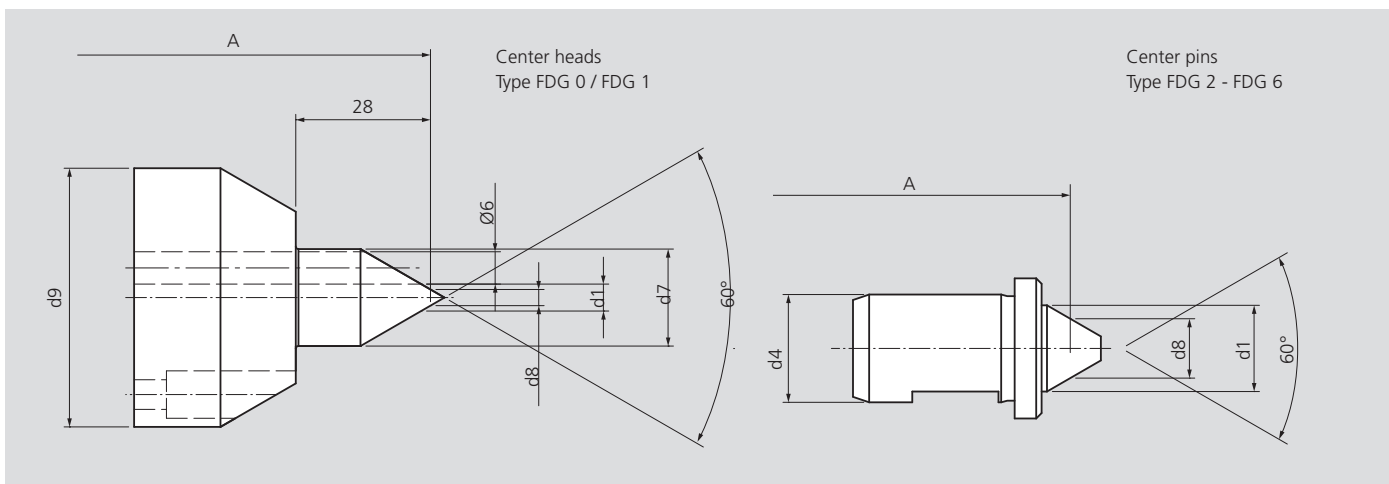
Center heads / Center pins



Application/customer benefits

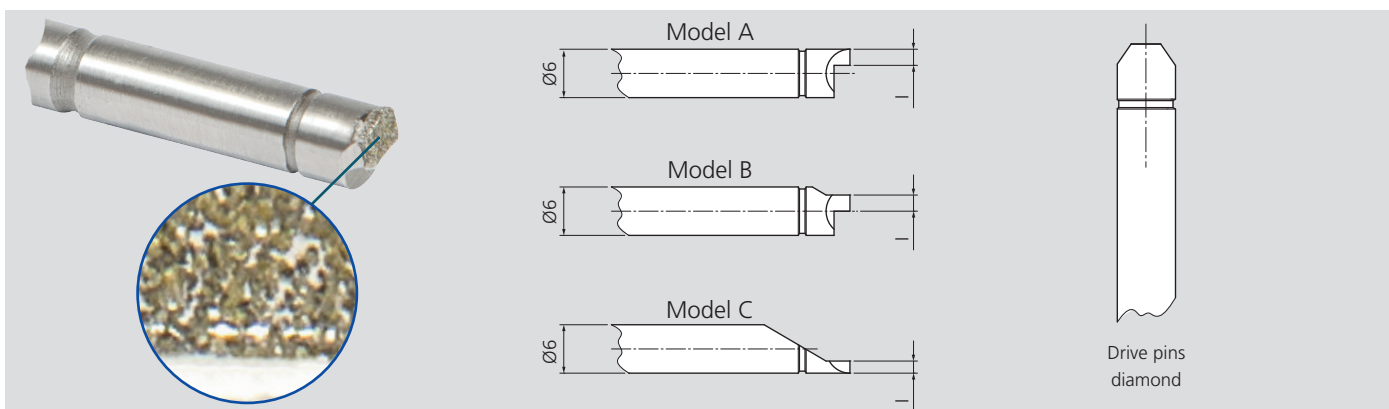
- Center pin with carbide insert
- Maximum rigidity
- Highest change accuracy
- Fixed safely via set screw and plane surface inside the face driver

Center heads Type FDG 0 and FDG 1 60° center with carbide coating.
Center pins Type FDG 2 to FDG 6 carbide design.



Id.-No. Center pin	Type	d1	d4	Center Ø	d7	d8	d9
204883	FDG 0	3	-	1 - 3	18	1.5	48
204884	FDG 1	5	-	1 - 5	20	3	48
204885	FDG 2	7.8	6	2 - 6.5	-	4.25	-
204886	FDG 3	9.8	8	4 - 8.5	-	6.25	-
204887	FDG 4	10	14	4 - 9	-	6.5	-
204888	FDG 5	12	18	6 - 11	-	8.5	-
204889	FDG 6	16	20	10 - 15	-	12.5	-

Drive pins with diamond coating



Id. No. drive pin	Type	Clamping diameter	l	Model
204890	diamond	D1	1.5	C
204891	diamond	D2	3	B
204892	diamond	D3	3	A

- Drive pins for torque transmission onto the workpiece
- Drive pins with diamond coating
- High frictional coefficient

Clamping diameter D1/D2/D3 see technical data.

Further dimensions on request.